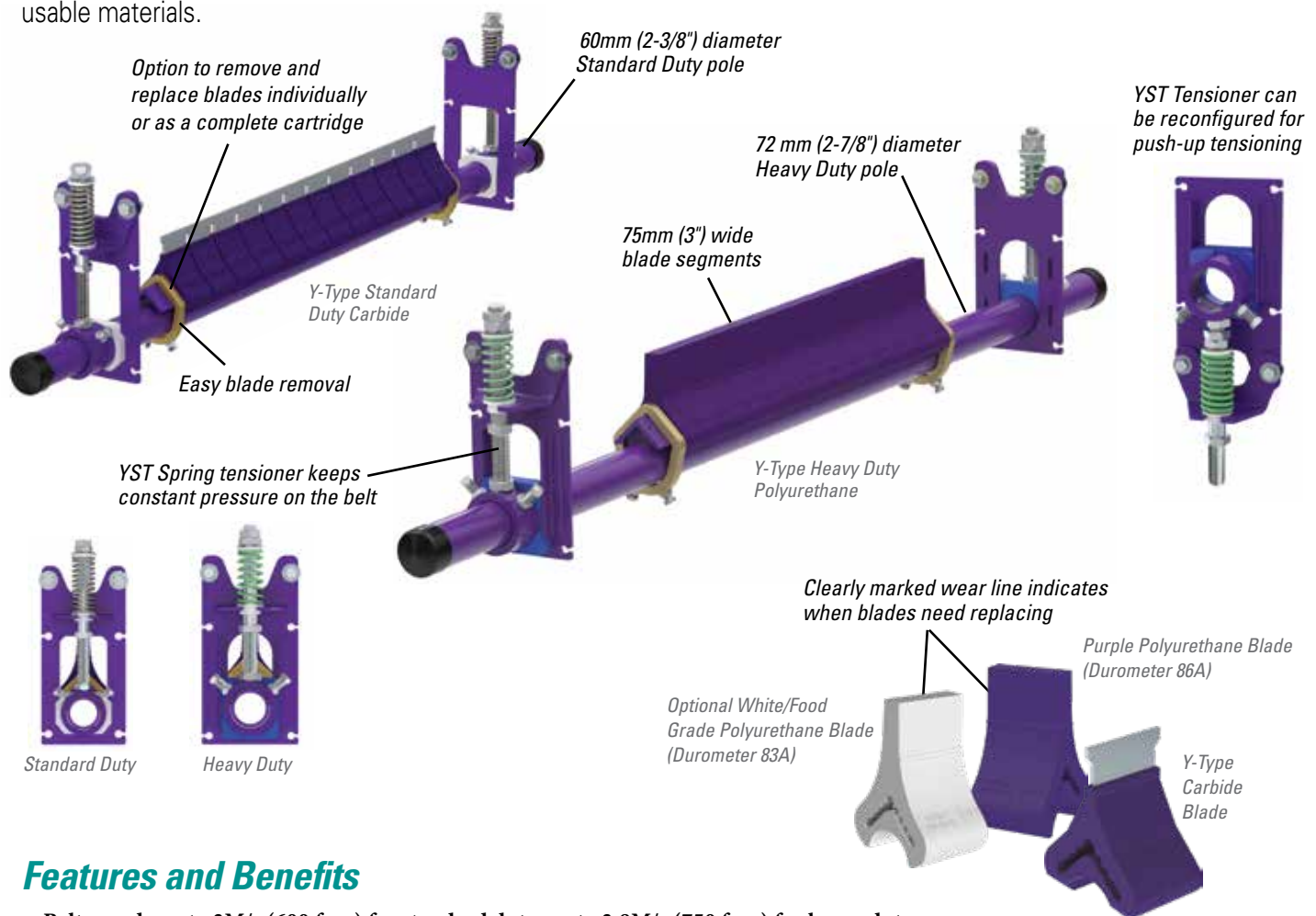


# Y-Type™ Polyurethane and Carbide Secondary Cleaner

## Simple, Effective Cleaning for Cement Operations Where Dust is Widespread

The Y-Type™ Secondary Cleaner should be installed throughout the cement process, especially in areas such as the materials storage and proportioning and finish mills, where dust is widespread. With easy, do-it-yourself installation and simple, serviceable blades, all at an affordable price, it makes for the ideal solution to facilitate the capture of usable materials.



### Features and Benefits

- Belt speeds up to 3M/s (600 fpm) for standard duty, up to 3.8M/s (750 fpm) for heavy duty.
- Works on reversing belts.
- Available in 450 - 1200mm (18" - 48") for standard duty belts, 900 - 1800mm (36" - 72") for heavy duty belts .
- 75mm (3") wide blade segments. Conforms to worn or damaged belts.
- Blades available in carbide and purple or white/food grade polyurethane.
- **Easy maintenance.** Simple design makes changing the blades fast and easy. Blades can be removed and replaced individually, or all at once by replacing the cartridge.
- **Spring tensioner.** Utilizes the YST tensioner to maintain constant pressure on the belt. Standard duty YST for 60mm (2-3/8") poles, heavy duty YST for 73mm (2-7/8") poles.

# Y-Type™ Polyurethane and Carbide Secondary Cleaner

## Specifications and Guidelines

|                                  | Standard Duty                      | Heavy Duty                     |
|----------------------------------|------------------------------------|--------------------------------|
| <b>Maximum Belt Speed</b>        | 3 M/sec (600 FPM)                  | 3.8 M/sec (750 FPM)            |
| <b>Temperature Rating</b>        | -35° C to 82° C (-30° F to 180° F) |                                |
| <b>Usable Blade Wear Length</b>  | Polyurethane:<br>50 mm (2")        | Polyurethane:<br>75 mm (3")    |
|                                  | Carbide: 6 mm (1/4")               | Carbide: 10 mm (3/8")          |
| <b>Available for Belt Widths</b> | 450 to 1200 mm<br>(18" to 48")     | 900 to 1800 mm<br>(36" to 72") |

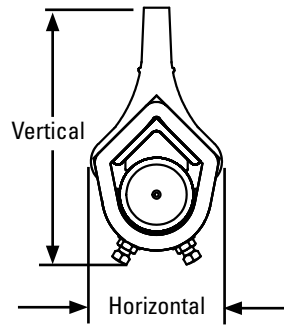
### Blade Material

Purple: Polyurethane (proprietary blend for abrasion resistance and long wear)

White: Polyurethane (chemical resistant/food grade)\*

Carbide: Impact resistant tungsten carbide

\*All ingredients used in polyurethane formulation comply with the relevant requirements of 21 CFR (FDA Code of Federal Regulations) for use in repeated bulk dry food applications.



**Horizontal Clearance Required**  
**Standard Duty:** 110 mm (4-1/4")  
**Heavy Duty:** 135 mm (5-1/4")

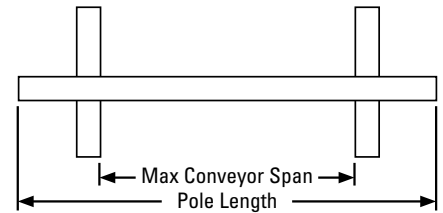
**Vertical Clearance Required**  
**Standard Duty:**  
 Polyurethane: 210 mm (8-1/4")  
 Carbide: 185mm (7-3/4")  
**Heavy Duty:**  
 Polyurethane: 240 mm (9-1/2")  
 Carbide: 250 mm (9-3/4")

### Pole Length

SD Belt width + 762 mm (30")  
 HD Belt width + 1372 mm (54")

### Maximum Conveyor Span

SD Belt width + 559 mm (22")  
 HD Belt width + 1169 mm (46")



## Ordering Information

| Y-Type Secondary Cleaners - Standard Duty |    |                 |           |                            |           |                                      |           |
|---|----|-----------------|-----------|----------------------------|-----------|--------------------------------------|-----------|
| Belt Width                                |    | Carbide Blades  |           | Purple Polyurethane Blades |           | White/Food Grade Polyurethane Blades |           |
| mm  | in | Ordering Number | Item Code | Ordering Number            | Item Code | Ordering Number                      | Item Code |
| 450                                       | 18 | YT-TC-18S       | 79759     | YT-18S                     | 79765     | YTW-18S                              | 79771     |
| 600                                       | 24 | YT-TC-24S       | 79760     | YT-24S                     | 79766     | YTW-24S                              | 79772     |
| 750                                       | 30 | YT-TC-30S       | 79761     | YT-30S                     | 79767     | YTW-30S                              | 79773     |
| 900                                       | 36 | YT-TC-36S       | 79762     | YT-36S                     | 79768     | YTW-36S                              | 79774     |
| 1050                                      | 42 | YT-TC-42S       | 79763     | YT-42S                     | 79769     | YTW-42S                              | 79775     |
| 1200                                      | 48 | YT-TC-48S       | 79764     | YT-48S                     | 79770     | YTW-48S                              | 79776     |

Lead time: 1 working day

| Y-Type Secondary Cleaners - Heavy Duty |     |                 |           |                            |           |                                      |           |
|--|-----|-----------------|-----------|----------------------------|-----------|--------------------------------------|-----------|
| Belt Width                             |     | Carbide Blades  |           | Purple Polyurethane Blades |           | White/Food Grade Polyurethane Blades |           |
| mm                                     | in. | Ordering Number | Item Code | Ordering Number            | Item Code | Ordering Number                      | Item Code |
| 900                                    | 36  | YTHD-TC-36S     | 79777     | YTHD-36S                   | 79783     | YTHDW-36S                            | 79789     |
| 1050                                   | 42  | YTHD-TC-42S     | 79778     | YTHD-42S                   | 79784     | YTHDW-42S                            | 79790     |
| 1200                                   | 48  | YTHD-TC-48S     | 79779     | YTHD-48S                   | 79785     | YTHDW-48S                            | 79791     |
| 1350                                   | 52  | YTHD-TC-54S     | 79780     | YTHD-54S                   | 79786     | YTHDW-54S                            | 79792     |
| 1500                                   | 60  | YTHD-TC-60S     | 79781     | YTHD-60S                   | 79787     | YTHDW-60S                            | 79793     |
| 1800                                   | 72  | YTHD-TC-72S     | 79782     | YTHD-72S                   | 79788     | YTHDW-72S                            | 79794     |

Lead time: 1 working day

| Blades Required per Cleaner Size - Standard |     |     |     |     |      |      |
|---|-----|-----|-----|-----|------|------|
| mm  | 450 | 600 | 750 | 900 | 1050 | 1200 |
| in.   | 18  | 24  | 30  | 36  | 42   | 48   |
| Blades Required                             | 6   | 8   | 10  | 12  | 14   | 16   |

| Blades Required per Cleaner Size - HD |     |      |      |      |      |      |
|---------------------------------------|-----|------|------|------|------|------|
| mm                                    | 900 | 1050 | 1200 | 1350 | 1500 | 1800 |
| in.                                   | 36  | 42   | 48   | 54   | 60   | 72   |
| Blades Required                       | 12  | 14   | 16   | 18   | 20   | 24   |

Authorized Distributor:

Unit 7 Kingsmark Freeway • Oakenshaw • Bradford, BD12 7HW • United Kingdom  
 Tel: +44-1274-600-942 • Fax: +44-1274-673-644 • Email: sales@flexco.co.uk

Visit [www.flexco.com](http://www.flexco.com) for other Flexco locations and products.

©2017 Flexible Steel Lacing Company. 03/19/18. For reorder: X5118

